

# TAIDEN®

## *HCL-1090 Line Array Column Loudspeaker*



**Installation and Operating Manual**

**V 1.2**

**HCL-1090 Line Array Column Loudspeaker**

**Features:**

- Compact design, natural and high- quality sound
- Built-in 3 2.5-inch full-frequency drivers
- Wide frequency range and enhanced performance:  
Characterized with wider bandwidth, has the lowest frequency at 80 Hz. Constant resistance (6 Ω) power mode for higher output level
- Coverage pattern: Horizontal: 150°, Vertical: 30°
- Professional line array sound column, with uniform sound field coverage, higher transmission gain and hardly howling. Solve the sound reinforcement requirement in the environment with sound defect
- Enclosure designed IP-55 rate, per IEC60529 allows use in a wide of adverse conditions
- Fiberglass reinforced ABS cabinet with UV resistant
- Wall-mount (with fixed plate) or stand-mount



**Specifications:**

Components	Three 2.5 inch full-range
Frequency response	80 Hz ~ 18 kHz (-10 dB)
Coverage pattern	Horizontal: 150° Vertical: 30°
Sensitivity (2.45 V@1 m)	90 dB
Impedance	6 Ω
Power capacity (6 Ω)	60 W (240 W peak), 2 hrs 36 W (144 W peak), 100 hrs
Max. SPL	105 dB
Enclosure	Fiberglass reinforced ABS cabinet, painted aluminum grille
Outdoor capability	IP-55 rated, per IEC60529, moisture- and water-proof, dust-proof, water-proof cable gland
Colors	Black or White
Insert	Three M6 insert points on back panel
Mounting	Included swivel wall bracket provides continuously variable ±80 degree left-right swivel aiming
Dimensions (h × w × d)	400×102×160 mm
Weight	2.2 kg
Accessories	Swivel wall bracket or Fixed plate (optional)

**Overview:**

HCL-1090 Line Array Column Loudspeaker, composed of three full-range drivers, features natural and high-quality sound in a compact and exquisite enclosure. It offers rich and nice middles, and crisp and sweet highs. Thanks to its wide and even sound field, HCS-1090 can be used for various applications such as in small conference room and classroom.

The internal speaker units arrayed vertically in close proximity form a linear sound source, which guarantees better coverage and less susceptibility to feedback at a longer throw distance. It characterized with wider bandwidth, has the lowest frequency at 80 Hz. Constant resistance mode (6 Ω) for higher output level.

Enclosure designed IP-55 rate IEC60529 allows use in a wide range of adverse conditions such as wet, dirty or corrosive environments.

HCL-1090\_B.....Line Array Column Loudspeaker (6 Ω, 60 W, black, with adjustable installation bracket or fixed)  
HCL-1090\_W.....Line Array Column Loudspeaker (6 Ω, 60 W, white, with adjustable installation bracket or fixed)

**CBL-SPK2 Speaker Cable**

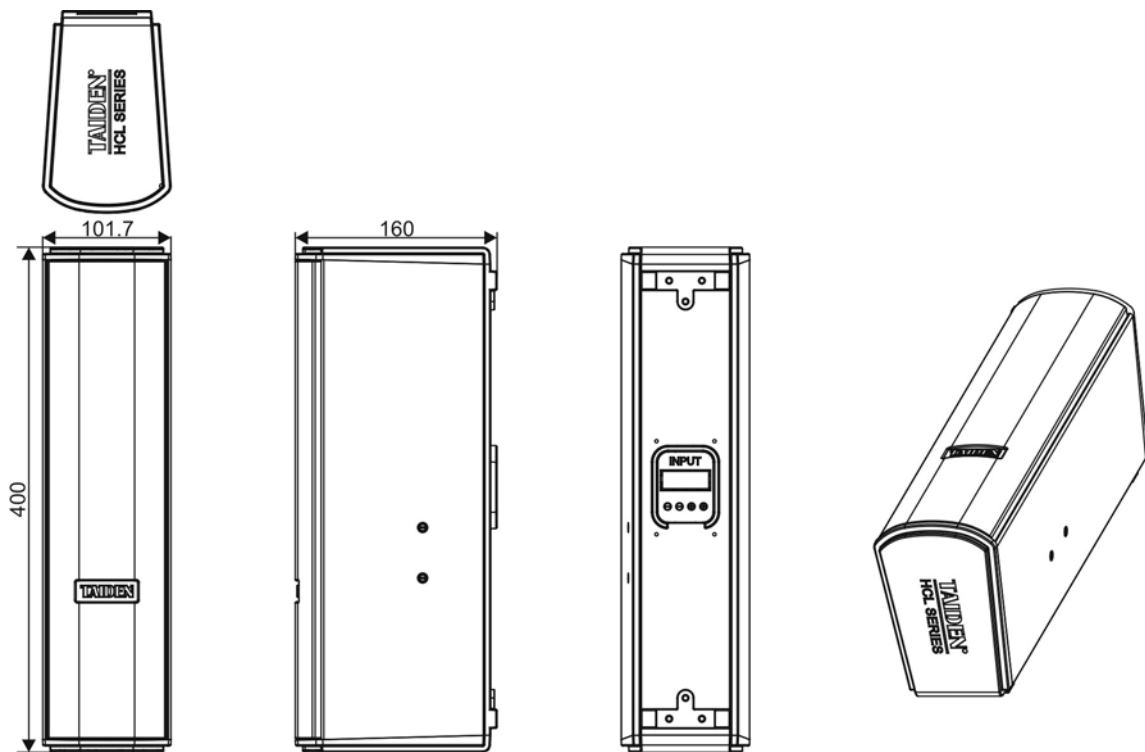
**Features:**

- 18AWG×2C
- Audio cable for HCL-1090 Line Array Column Loudspeaker
- Length of per roll: 305 meter
- Color: black with white stripe



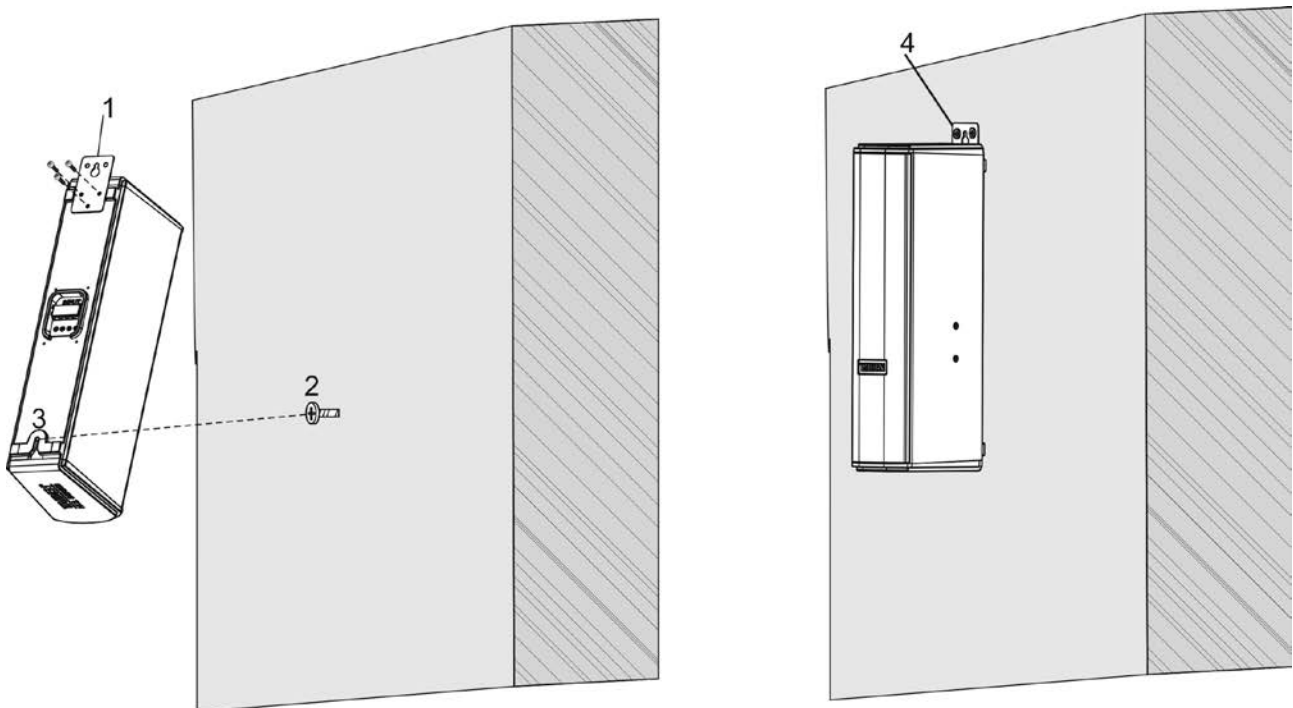
CBL-SPK2.....Speaker cable (For HCL-1090 Line Array Column Loudspeaker, black with white stripe, 305 m per roll, unit: meter )

**Dimensions (unit: mm):**



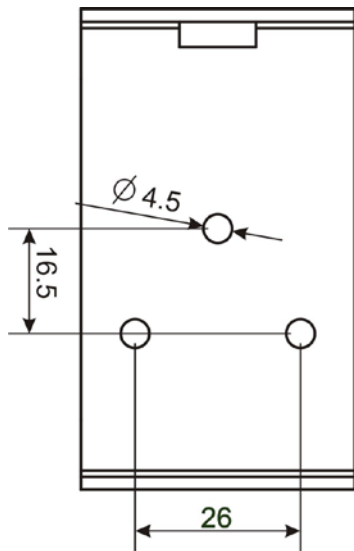
Dimensions of HCS-1090 Line Array Column Loudspeaker (unit: mm)

**Installation (Fixed):**

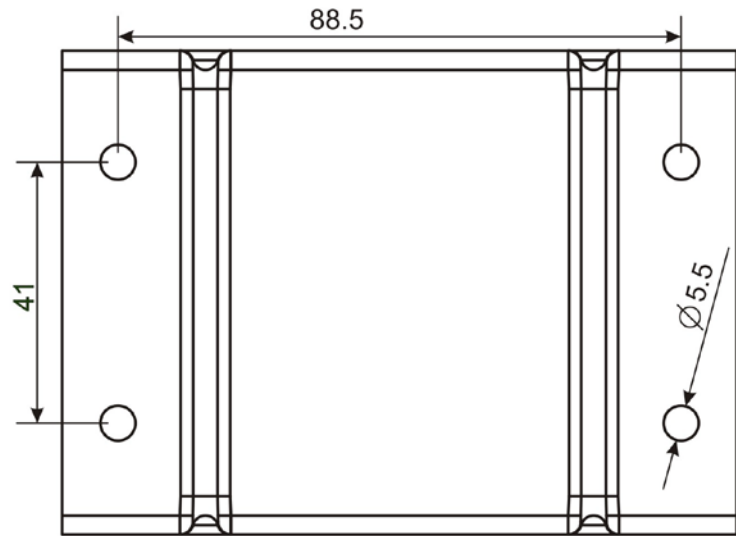


1. Install the fixed plate 1 on the HCL-1090, as shown in the figure;
2. Lock a screw 2 at the appropriate height, exposed wall 5.5 mm to 7.5 mm (excl. screw head)
3. Refer to the left figure and place the part 3 of HCL-1090 on screw 2
4. Refer to the right figure to lock the fixed plate on the wall
5. Secure the safety rope in a firm place

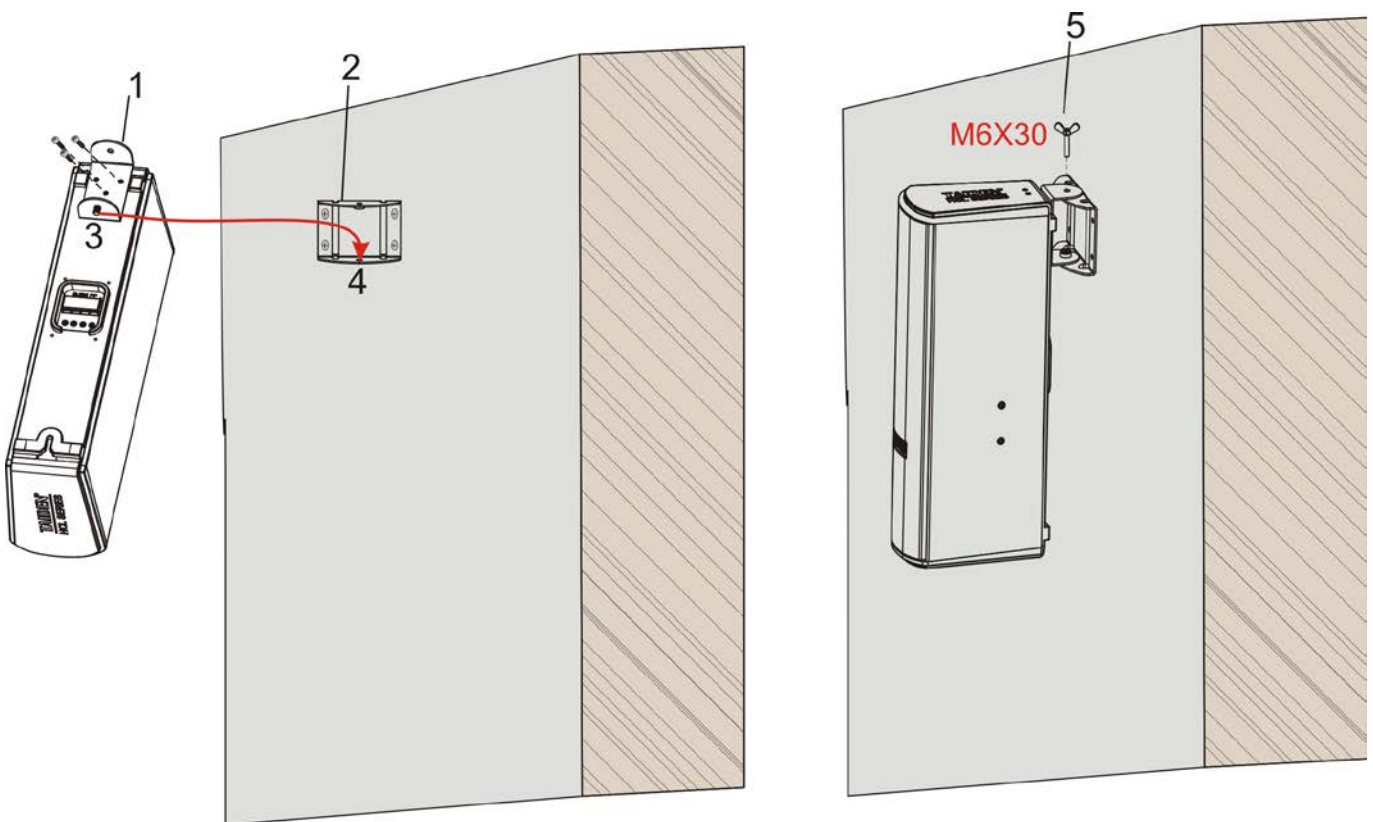
**Installation (swivel):**



Loudspeaker-mount section



Wall-mount section



1. Install the fixed plate 1 on the HCL-1090 (PM4×10 mm), as shown in the figure;
2. Attach wall bracket 2 to wall (PA4×30 mm);
3. Clip the bolt 3 of the fixed plate into the hole 4 of the wall bracket;
4. Set the swivel angle and then tighten the top bolt 5 (M6×30 mm).

**TAIDEN INDUSTRIAL CO., LTD.**

6/F, Block B, Future Plaza, 6060 Qiaoxiang Rd, Nanshan District, Shenzhen, China

P.C.: 518053

Website: <http://www.taiden.com>

Copyright by TAIDEN

**Last Revision: 06/2021**